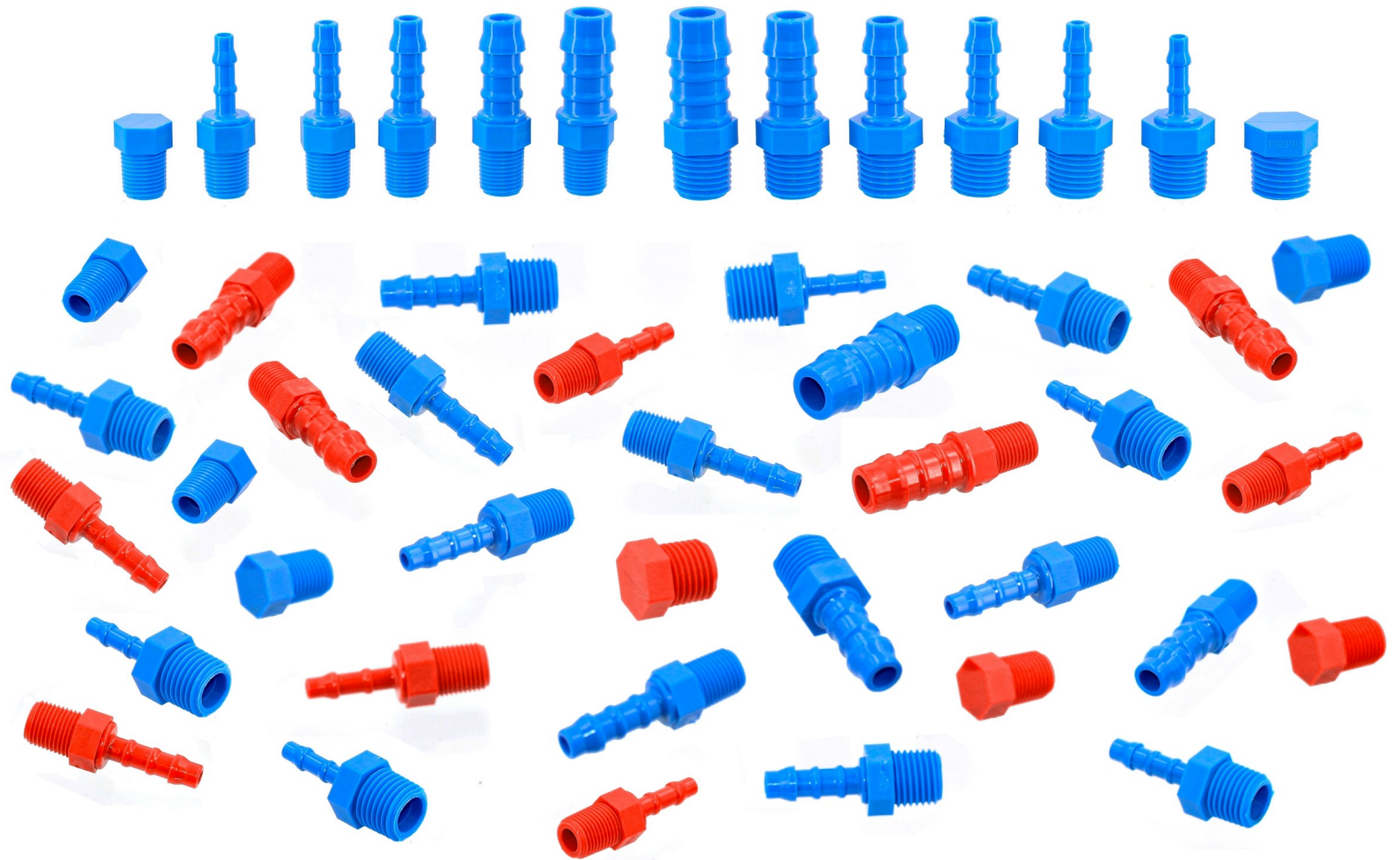


Hose Barb Fittings

Micro Plastic Fittings



PLASTIC FITTING

Plastic hose fittings, we have different sizes and diameters, built with quality and certified raw materials.

We offer plastic fittings in different materials, Polypropylene, Nylon, POKETONE and in different colors.

AWS PLASTIC
PLASTIC STORE COMPONENTS

Polypropylene Hose Barb Fittings

Ideal for industry and agriculture, excellent chemical resistance especially with fertilizers. Compatible Fluids: compressed air · fluid suitable with construction materials · water



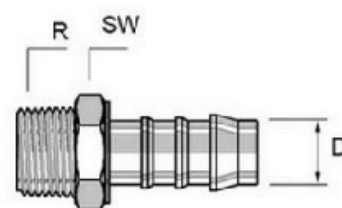
Temperature:
0°C to 80°C



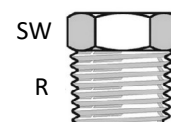
Max. Working
Pressure : 10 Bar Max . at 20°C



Thread sealing:
with Teflon tape



ART.NO	R	D	SW	BOX	PRICE € Tax excl.
1804PPBK	1/8 BSPT	∅ 4 mm	11	50	€ 0,40 Tax excl.
1805PPBK	1/8 BSPT	∅ 5 mm	11	50	€ 0,40 Tax excl.
1806PPBK	1/8 BSPT	∅ 6 mm	11	50	€ 0,40 Tax excl.
1808PPBK	1/8 BSPT	∅ 8 mm	11	50	€ 0,40 Tax excl.
1810PPBK	1/8 BSPT	∅ 10 mm	11	50	€ 0,40 Tax excl.
1404PPBK	1/4 BSPT	∅ 4 mm	14	50	€ 0,45 Tax excl.
1405PPBK	1/4 BSPT	∅ 5 mm	14	50	€ 0,45 Tax excl.
1406PPBK	1/4 BSPT	∅ 6 mm	14	50	€ 0,45 Tax excl.
1408PPBK	1/4 BSPT	∅ 8 mm	14	50	€ 0,45 Tax excl.
1410PPBK	1/4 BSPT	∅ 10 mm	14	50	€ 0,45 Tax excl.
1412PPBK	1/4 BSPT	∅ 12 mm	14	50	€ 0,45 Tax excl.



T18PPBK	1/8 BSPT		11	50	€ 0,40 Tax excl.
T14PPBK	1/4 BSPT		14	50	€ 0,45 Tax excl.

Polyketone Hose Barb Fittings

Hose Barb Fittings made from Polyketone are highly resistant to automotive fluids, hydrocarbon solvents, salts and weak acids and bases. POKETONE (Polyketone) is a non-toxic and biocompatible polymer. This polymer is widely used in markets such as automotive, water meter, water purifier, toys, medical devices.

Materials Certified FDA / KTW / NSF / USP



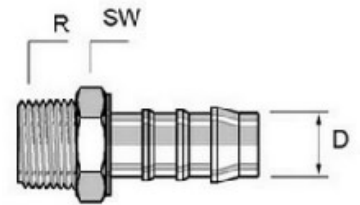
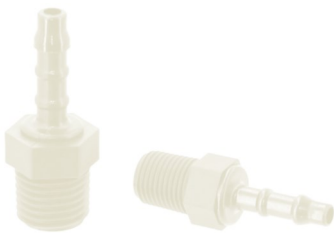
Temperature:
-20°C to 100°C



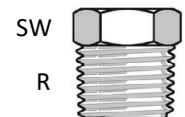
Max. Working
Pressure : 14 Bar Max . at 20°C



Thread sealing:
with Teflon tape



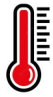
ART.NO	R	D	SW	BOX	PRICE € Tax excl.
1804PKW	1/8 BSPT	Ø 4 mm	11	50	€ 0,50 Tax excl.
1805PKW	1/8 BSPT	Ø 5 mm	11	50	€ 0,50 Tax excl.
1806PKW	1/8 BSPT	Ø 6 mm	11	50	€ 0,50 Tax excl.
1808PKW	1/8 BSPT	Ø 8 mm	11	50	€ 0,50 Tax excl.
1810PKW	1/8 BSPT	Ø 10 mm	11	50	€ 0,50 Tax excl.
1404PKW	1/4 BSPT	Ø 4 mm	14	50	€ 0,55 Tax excl.
1405PKW	1/4 BSPT	Ø 5 mm	14	50	€ 0,55 Tax excl.
1406PKW	1/4 BSPT	Ø 6 mm	14	50	€ 0,55 Tax excl.
1408PKW	1/4 BSPT	Ø 8 mm	14	50	€ 0,55 Tax excl.
1410PKW	1/4 BSPT	Ø 10 mm	14	50	€ 0,55 Tax excl.
1412PKW	1/4 BSPT	Ø 12 mm	14	50	€ 0,55 Tax excl.





T18PKW	1/8 BSPT		11	50	€ 0,50 Tax excl.
T14PKW	1/4 BSPT		14	50	€ 0,55 Tax excl.

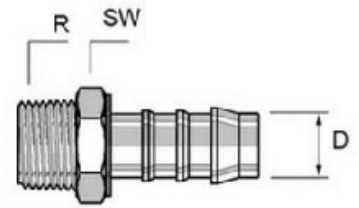
Nylon 6.6 Hose Barb Fittings - Blue

Nylon 6.6 highly resistant to: hydrocarbons, alkalis, fats, oils, fuels, ethers, esters and ketones. But are not resistant to: halogens, mineral acids and certain organic acids, oxidising agents.

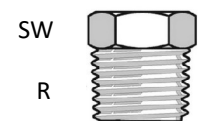
 Temperature:
-20°C to 110°C

 Max. Working
Pressure : 14 Bar Max at 20°C

 Thread sealing:
with Teflon tape



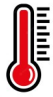
ART.NO	R	D	SW	BOX	PRICE € Tax excl.
1804PAB	1/8 BSPT	Ø 4 mm	11	50	€ 0,45 Tax excl.
1805PAB	1/8 BSPT	Ø 5 mm	11	50	€ 0,45 Tax excl.
1806PAB	1/8 BSPT	Ø 6 mm	11	50	€ 0,45 Tax excl.
1808PAB	1/8 BSPT	Ø 8 mm	11	50	€ 0,45 Tax excl.
1810PAB	1/8 BSPT	Ø 10 mm	11	50	€ 0,45 Tax excl.
1404PAB	1/4 BSPT	Ø 4 mm	14	50	€ 0,50 Tax excl.
1405PAB	1/4 BSPT	Ø 5 mm	14	50	€ 0,50 Tax excl.
1406PAB	1/4 BSPT	Ø 6 mm	14	50	€ 0,50 Tax excl.
1408PAB	1/4 BSPT	Ø 8 mm	14	50	€ 0,50 Tax excl.
1410PAB	1/4 BSPT	Ø 10 mm	14	50	€ 0,50 Tax excl.
1412PAB	1/4 BSPT	Ø 12 mm	14	50	€ 0,50 Tax excl.





T18PAB	1/8 BSPT		11	50	€ 0,45 Tax excl.
T14PAB	1/4 BSPT		14	50	€ 0,50 Tax excl.

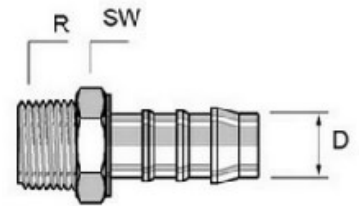
Nylon 6.6 Hose Barb Fittings - Red

Nylon 6.6 highly resistant to: hydrocarbons, alkalis, fats, oils, fuels, ethers, esters and ketones. But are not resistant to: halogens, mineral acids and certain organic acids, oxidising agents.

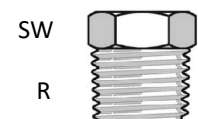
 Temperature:
-20°C to 110°C

 Max. Working
Pressure : 14 Bar Max at 20°C

 Thread sealing:
with Teflon tape



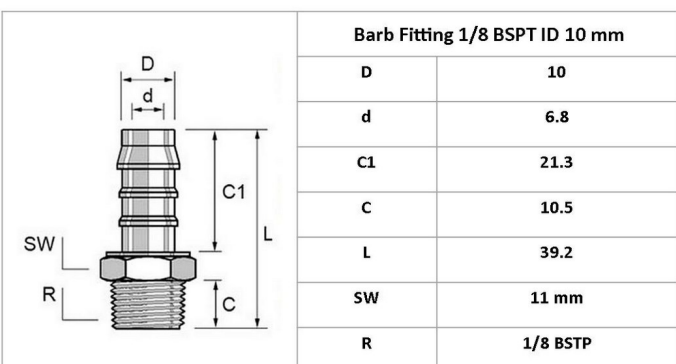
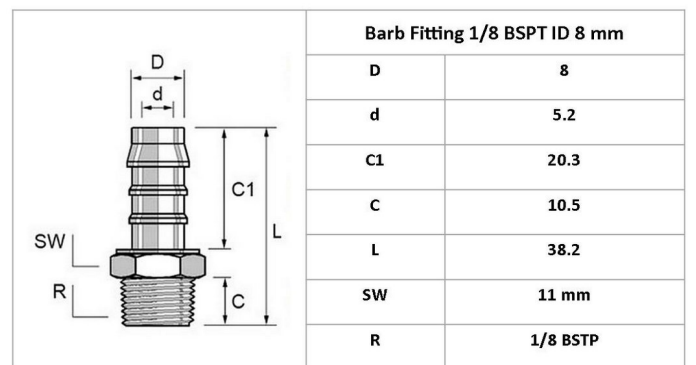
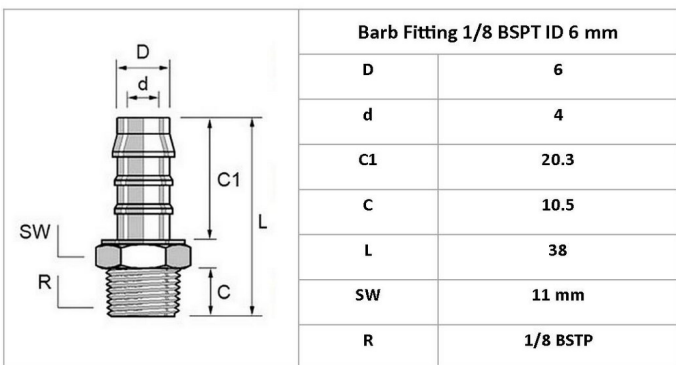
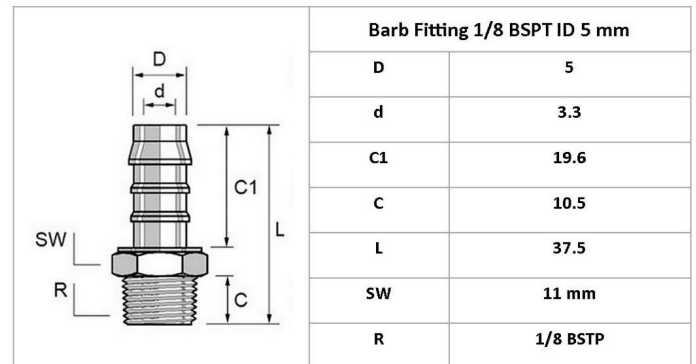
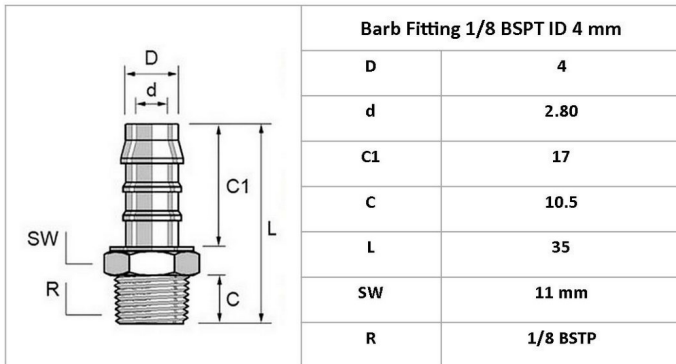
ART.NO	R	D	SW	BOX	PRICE € Tax excl.
1804PAR	1/8 BSPT	Ø 4 mm	11	50	€ 0,45 Tax excl.
1805PAR	1/8 BSPT	Ø 5 mm	11	50	€ 0,45 Tax excl.
1806PAR	1/8 BSPT	Ø 6 mm	11	50	€ 0,45 Tax excl.
1808PAR	1/8 BSPT	Ø 8 mm	11	50	€ 0,45 Tax excl.
1810PAR	1/8 BSPT	Ø 10 mm	11	50	€ 0,45 Tax excl.
1404PAR	1/4 BSPT	Ø 4 mm	14	50	€ 0,50 Tax excl.
1405PAR	1/4 BSPT	Ø 5 mm	14	50	€ 0,50 Tax excl.
1406PAR	1/4 BSPT	Ø 6 mm	14	50	€ 0,50 Tax excl.
1408PAR	1/4 BSPT	Ø 8 mm	14	50	€ 0,50 Tax excl.
1410PAR	1/4 BSPT	Ø 10 mm	14	50	€ 0,50 Tax excl.
1412PAR	1/4 BSPT	Ø 12 mm	14	50	€ 0,50 Tax excl.



T18PAR	1/8 BSPT		11	50	€ 0,45 Tax excl.
T14PAR	1/4 BSPT		14	50	€ 0,50 Tax excl.

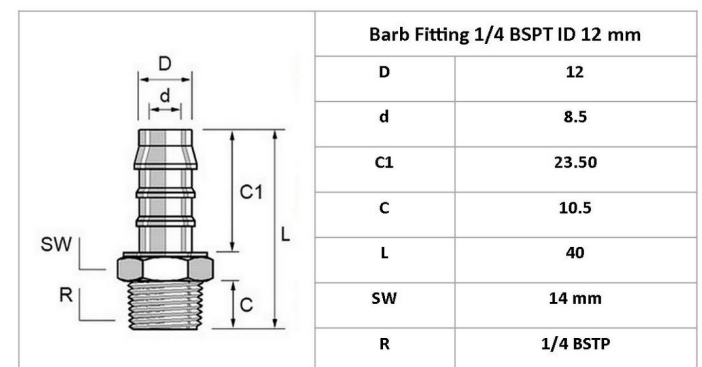
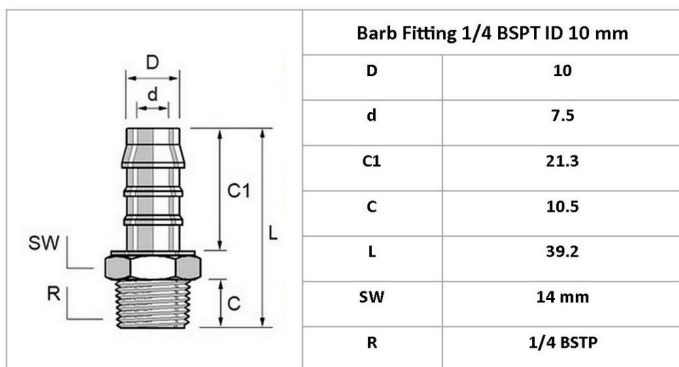
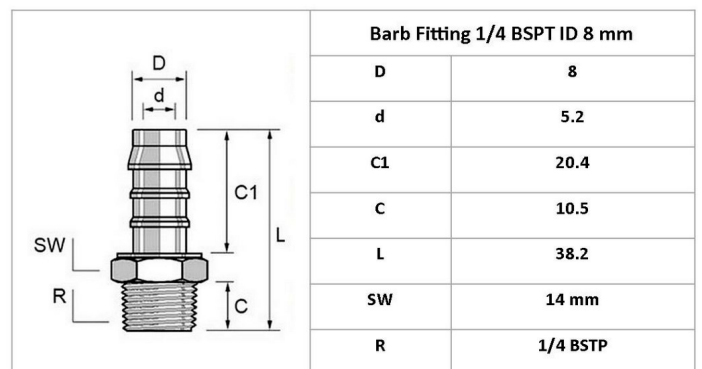
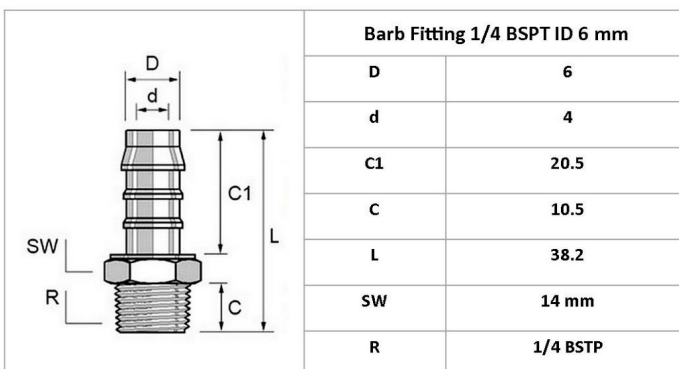
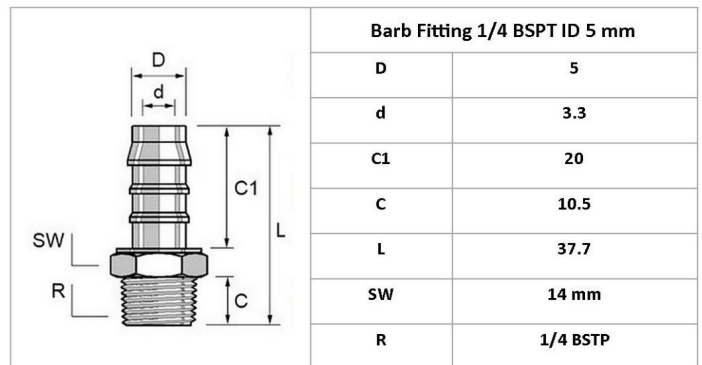
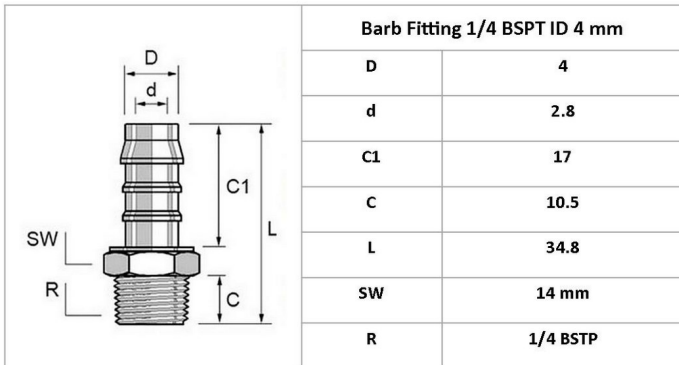
DIMENSIONAL DRAWING

1/8 BSTP BARB FITTINGS

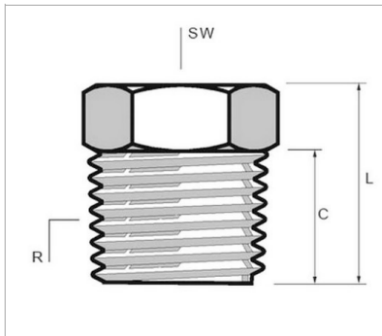


DIMENSIONAL DRAWING

1/4 BSPT BARB FITTINGS



DIMENSIONAL DRAWING BSTP HEX THREADED PLUG

	BSPT Hex Threaded Plug			
	M	L	C	SW
	1/8	16	10.2	11
	1/4	16	10.2	14



The Fittings should be tested by the customer in his particular application. Operating pressures of fittings are governed by ambient and fluid temperatures, type of fluid.

This statement declares that the materials used by us for the production of the line Plastic Fittings are provided with the above certifications. AWS dei F.lli Amodeo does not assume responsibility for the final use of its products.

AWS PLASTIC

P L A S T I C S T O R E C O M P O N E N T S



Via Walter Tobagi, 5 20081
Abbiategrasso (MI) Italy



Tel: +39 02 9422253

Fax: +39 0294240059



info@awsplastic.com